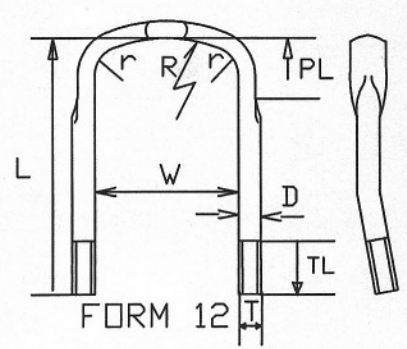
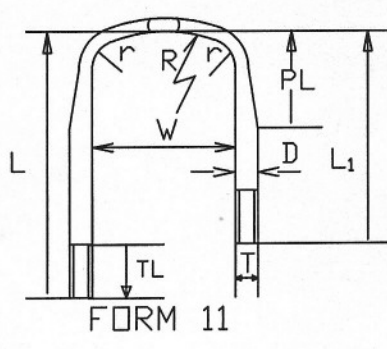
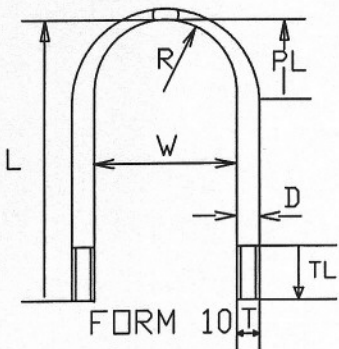
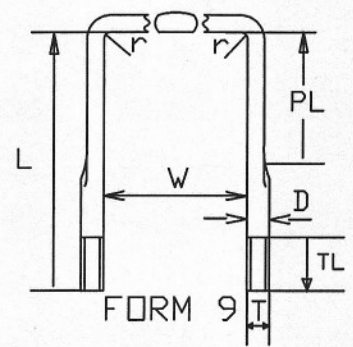
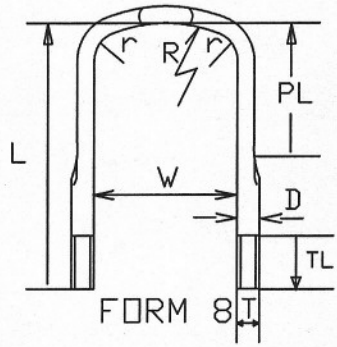
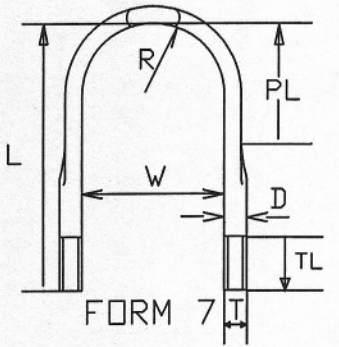
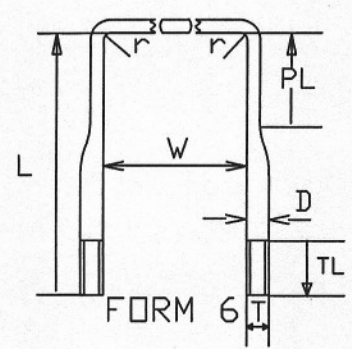
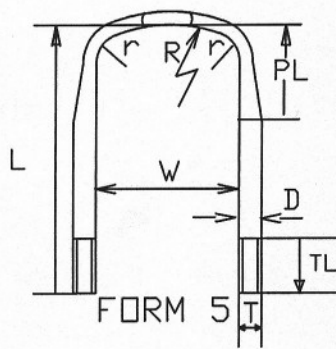
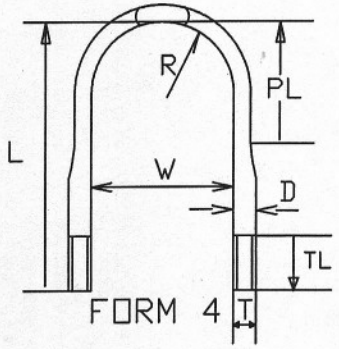
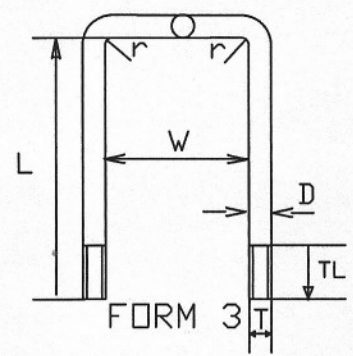
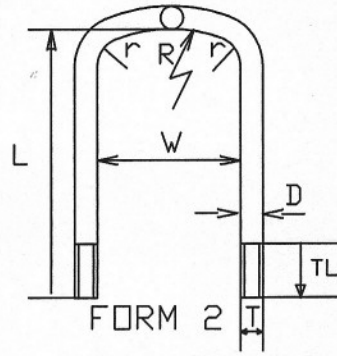
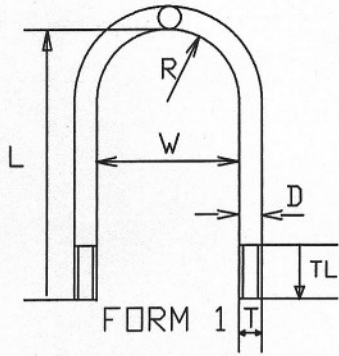




( TEKAY U BOLT FORMS 1 )  
TEKAY U CIVATASI SEKİLLERİ 1



L : LENGTH ( KOL BOYU )  
W : WIDTH ( KOL ARASI AÇIKLIK )  
D : DIAMETER ( SAFT CAPI )  
T : THREAD TYPE ( VIDA CINSI )

PL : PRESSED LENGTH ( EZME BOYU )  
R : RADIUS 1  
r : RADIUS 2  
TL : THREAD LENGTH ( DIS BOYU )